

# GALICUBE150


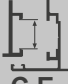



TILT-AND-TURN MECHANISM

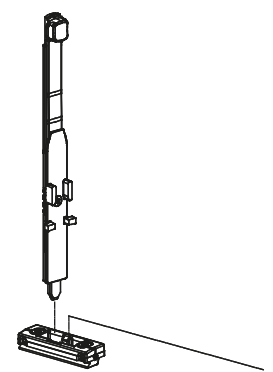
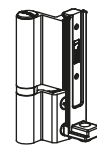
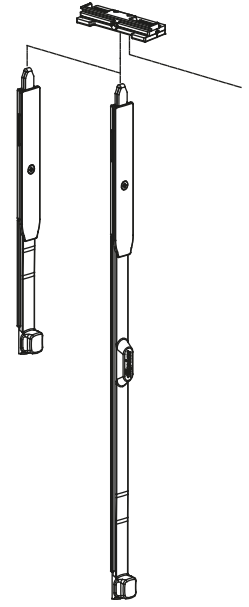
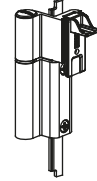
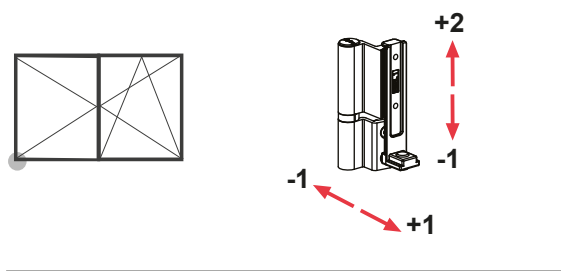
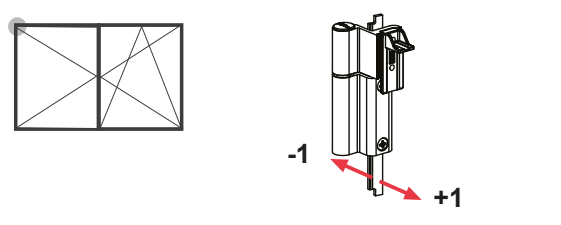
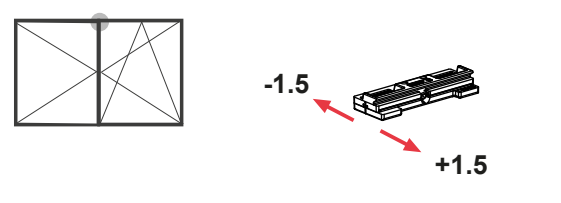
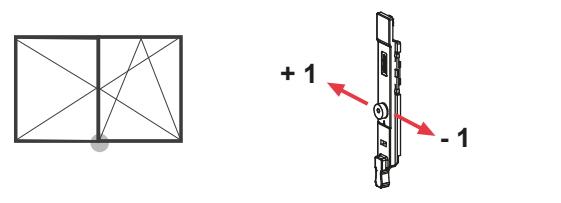
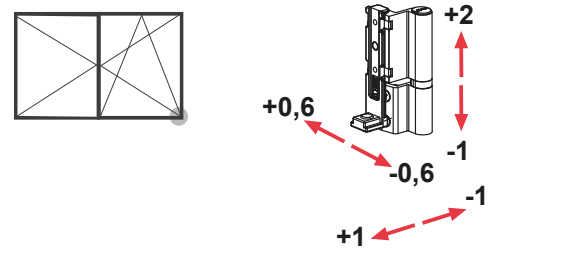
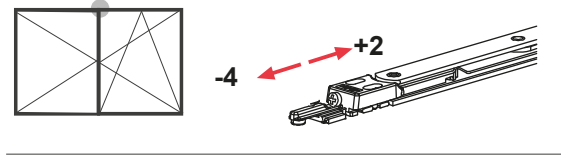
 Made in Italy

**fapim**<sup>®</sup>  
Life in evolution

# GALICUBE150

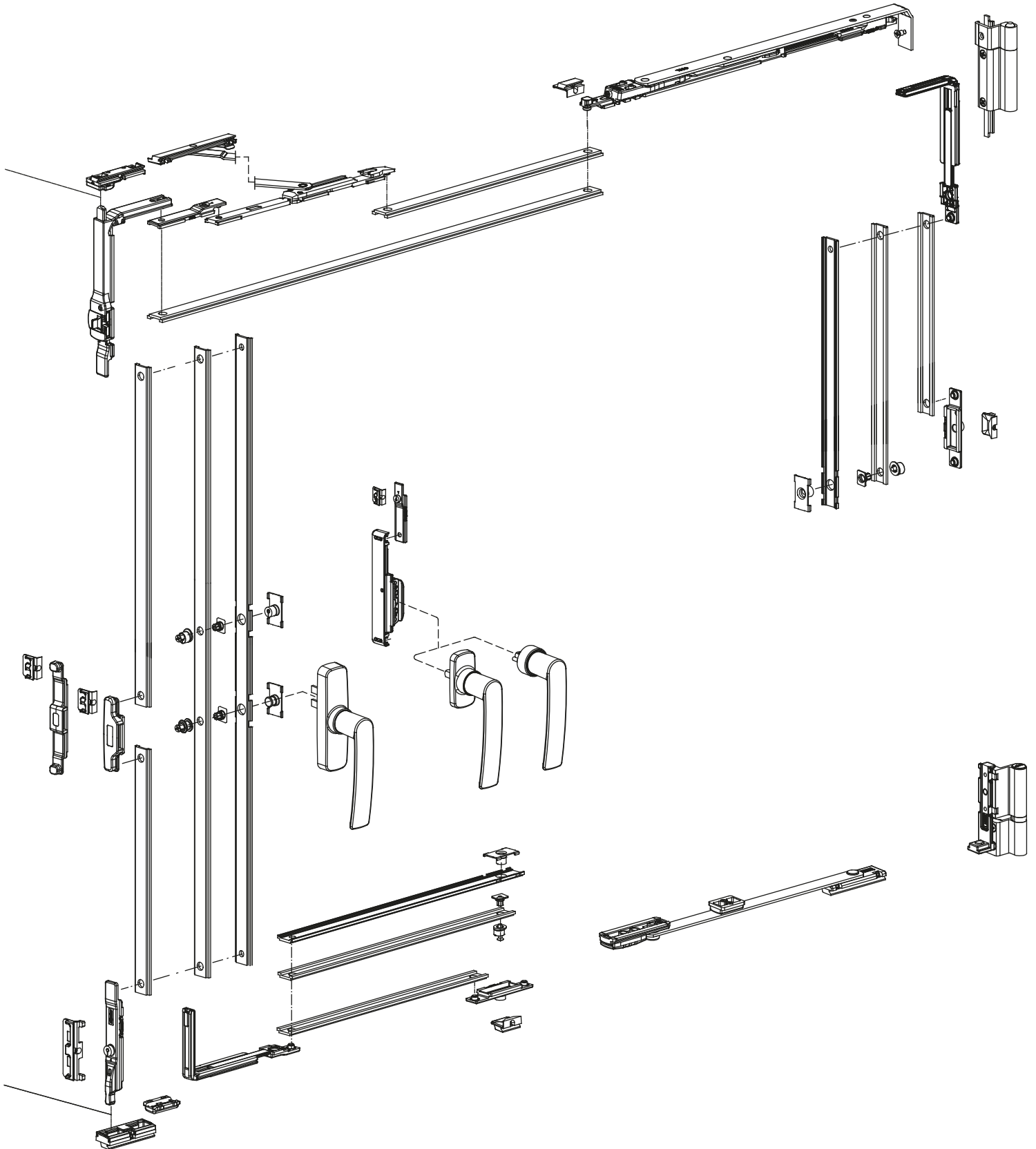
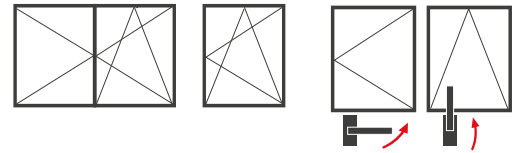
TILT-AND-TURN MECHANISM

		10x14.5		13.6x16.8
		12x15		14x18



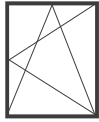
# GALICUBE150

TILT-AND-TURN MECHANISM

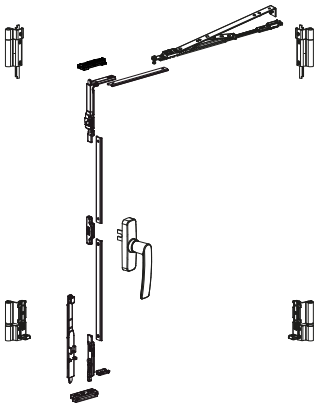
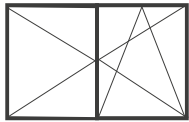


# GALICUBE150

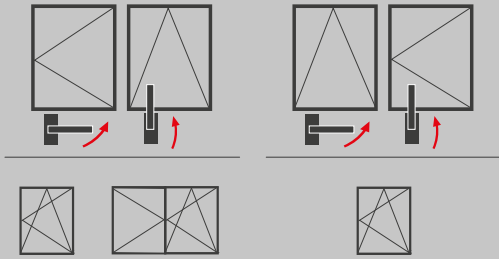
TILT-AND-TURN MECHANISM



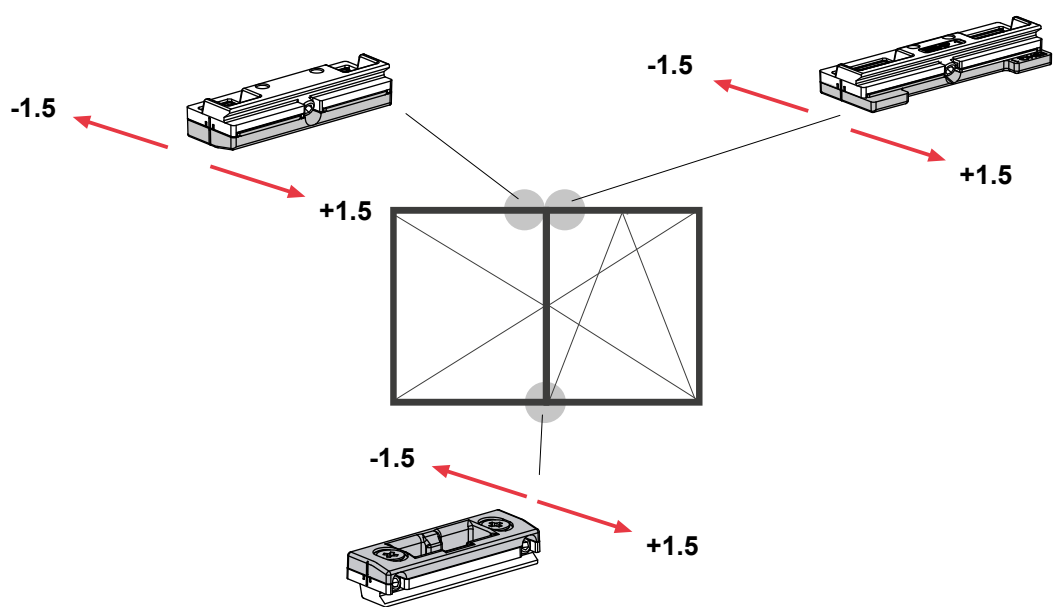
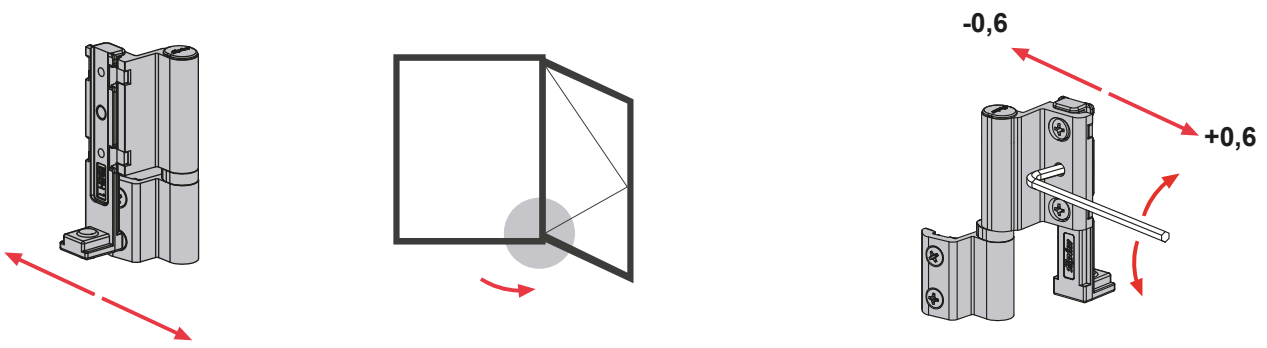
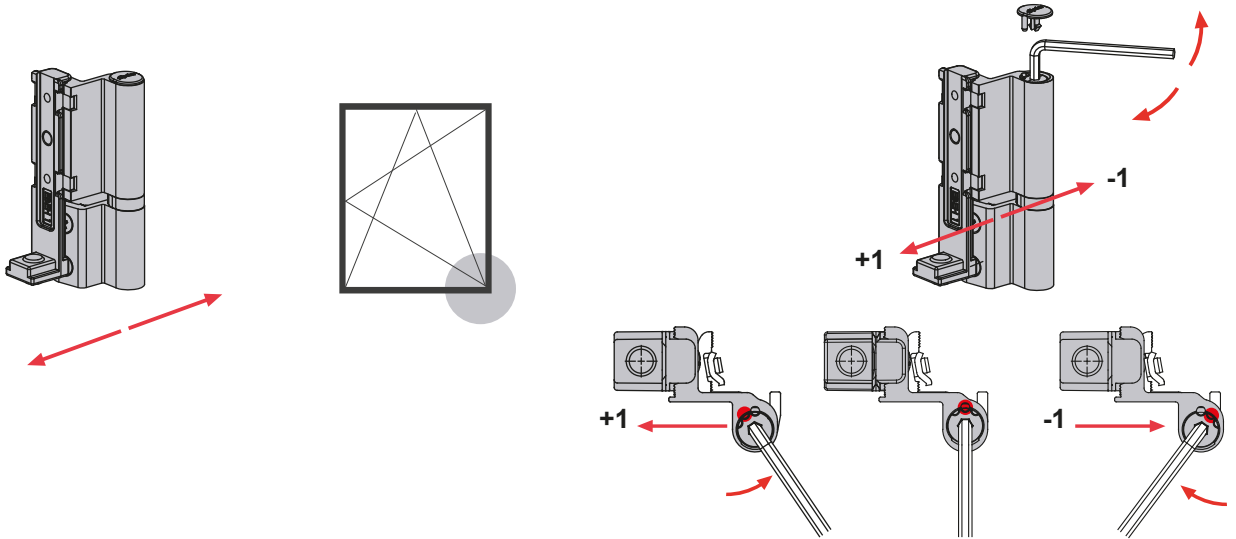
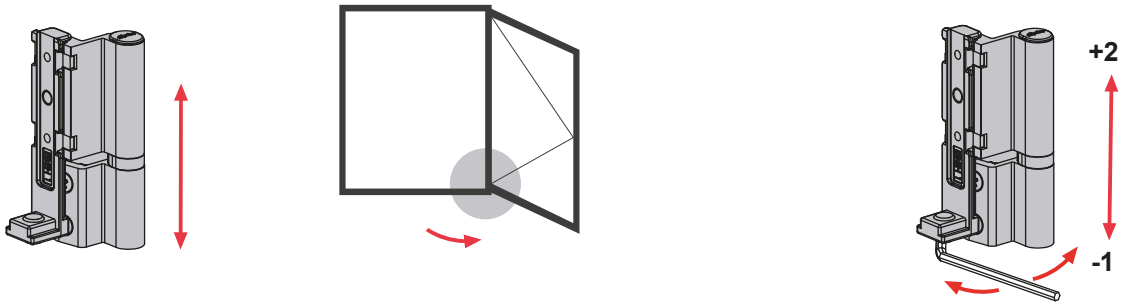
1336AA	0757B									
1336AF		0530B								
1336BA	0757B		1559A	1461	1410A		10x14.5 12x15 13.6x16.8 14x18		150	1x10
1336BF		0530B								



1337FA	0757B									
1337FF		0530B								
1337GA	0757B		1559A	1462A	1410A 1414A		10x14.5 12x15 13.6x16.8 14x18	13.6x16.8 14x18	150	1x10
1337GF		0530B								

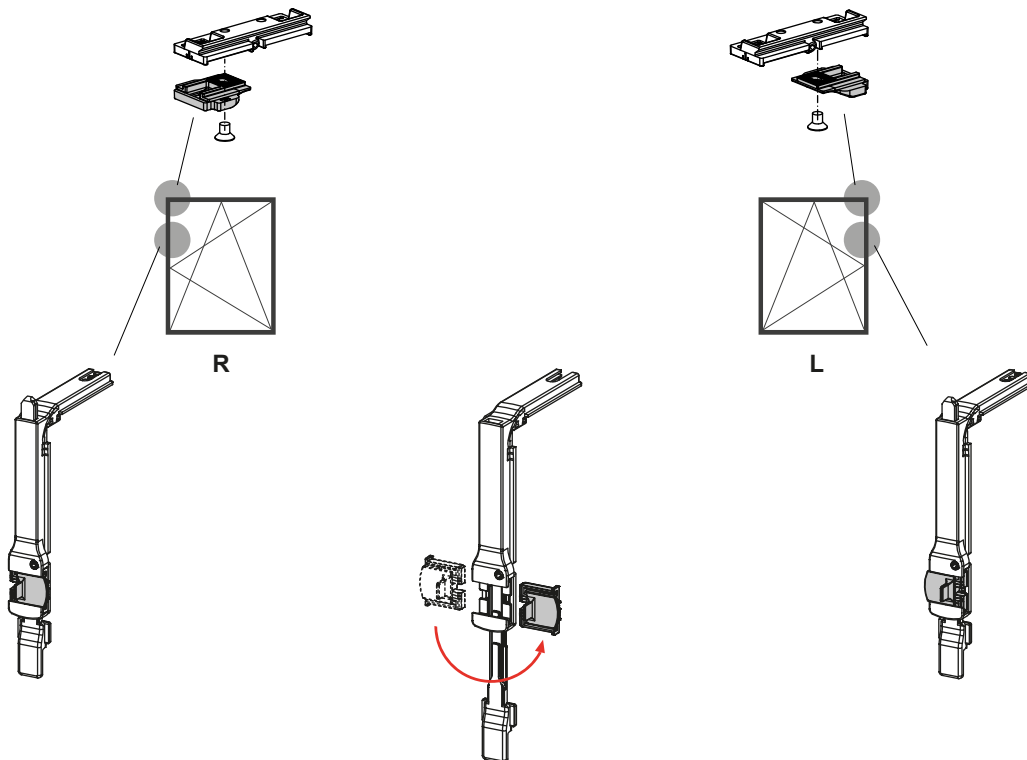
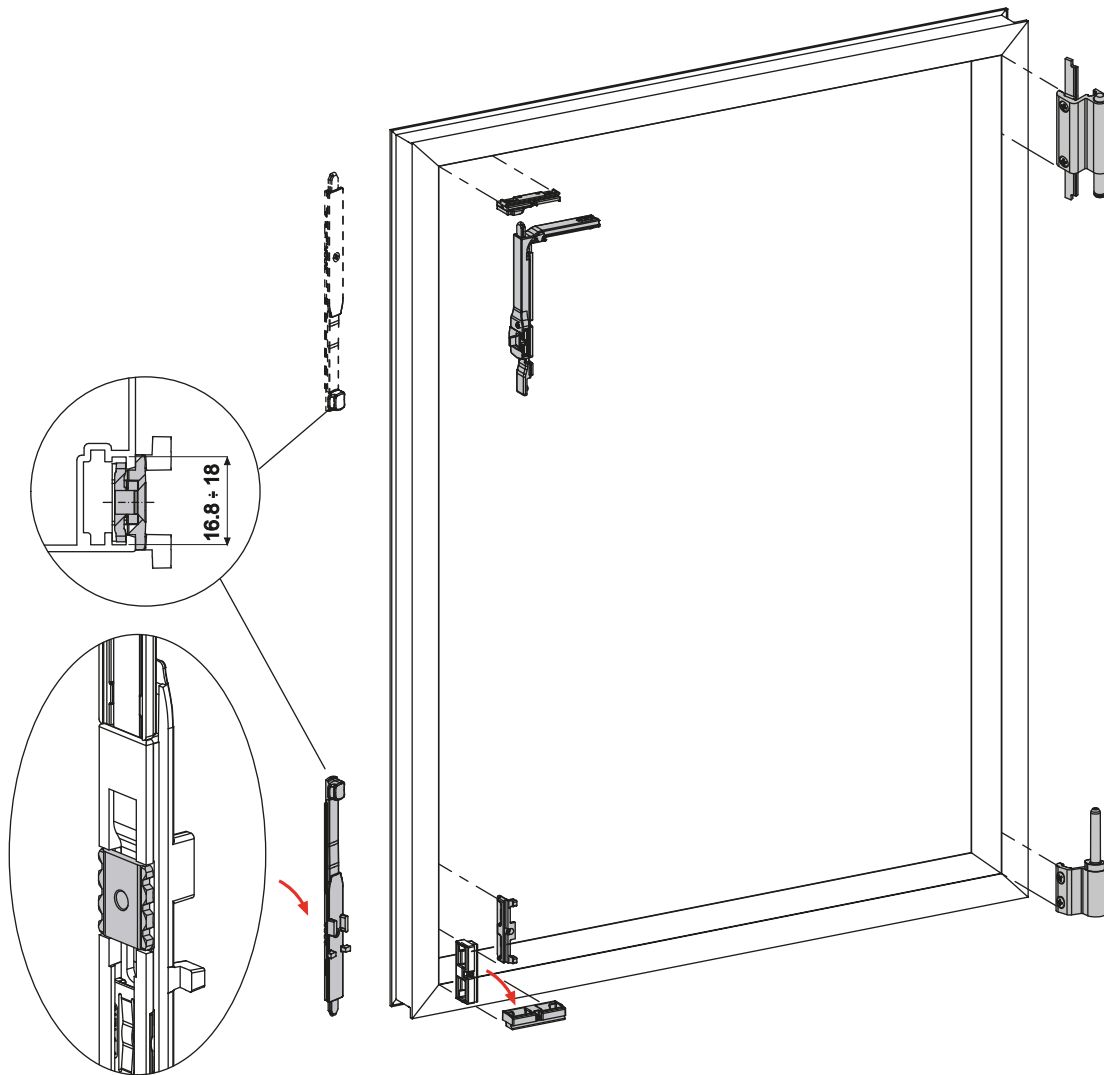


	1410A	●	●	●		10x14.5 12x15 13.6x16.8 14x18			150	10
	1410C	●	●	●				10x14.5 12x15 13.6x16.8 14x18	80	10
	1414A		●			10x14.5 12x15 13.6x16.8 14x18			150	10
	1414C		●					10x14.5 12x15 13.6x16.8 14x18	80	10
	1447	●	●		364 ÷ 700	10x14.5 12x15 13.6x16.8 14x18				10
	1447A	●	●		402 ÷ 750					10
	1447B	●	●		562 ÷ 1200					10
	1447C	●	●		816 ÷ 1700					10
	1461	●				10x14.5 12x15 13.6x16.8 14x18		10x14.5 12x15 13.6x16.8 14x18		10
	1462A		●			13.6x16.8 14x18		10x14.5 12x15 13.6x16.8 14x18		10
	1465A			●	402 ÷ 750	10x14.5 12x15 13.6x16.8 14x18				10
	1465B			●	562 ÷ 1200					
	1465C			●	816 ÷ 1700					
	1558	●	●	●		10x14.5 12x15 13.6x16.8 14x18				50
	ZM 1559	●	●	●						50
	PA 1559A	●	●	●						
	1563i	●	●	●						100
	1565i6	●	●	●						100
	1566A	●	●	●						50



# GALICUBE150

TILT-AND-TURN MECHANISM



# *fapim*<sup>®</sup>

Fapim S.p.A.  
Via delle Cerbaie, 114  
55011 Altopascio (LU) Italy  
T +39 0583 2601 F +39 0583 25291  
www.fapim.it info@fapim.it  
Cod.Fisc. e Part.I.V.A. 02224030466

**DOMATIC<sup>®</sup>**

DOMATIC  
info@domatic.it www.domatic.it

## *fapim*

**BENELUX**

Fapim Benelux s.r.l.  
Avenue Rue St. Roch , 17  
7712 Herseaux Belgium  
T +32 56 340548  
T +32 56 341960  
info@fapimbenelux.be

## *fapim*

**HISPANIA**

Fapim Hispania s.L.  
C/edison, esq. A. Ingeniero  
Goicoechea 45600  
Parcela, 74  
Talavera De la Reina (Espana)  
T +34 925 828357  
F +34 925 841148  
administración@fapimhispania.com  
pedidos@fapimhispania.com

## *fapim*

**POLSKA**

Fapim Polska sp. z o.o.  
ul.Wilcza 1,Stupno  
05-250 Radzymin  
NIP : 536-16-29-437  
T +48 227813797  
F +48 227811022  
Gsm +48609022972

## *fapim*

**RUSSIA**

Fapim RU llc  
Kaluzhskaya Region  
Province Borovskiy, 99km.  
main way "Ukraina", building 4A  
T +7 48439 97207  
info@fapimru.ru

## *fapim*<sup>®</sup>

**ARGENTINA**

Fapim Argentina S.A.  
CUIT: 30-71206299-8  
Calle Gral Alvear N° 411 - 1°  
Piso of 1 (B1640EWC) Martinez  
Pdo. de San Isidro  
Buenos Aires - Argentina  
T (+54) (11) 4897-0062  
y Líneas Rotativas

