



CLAK+

FINGER CATCH

ALT3

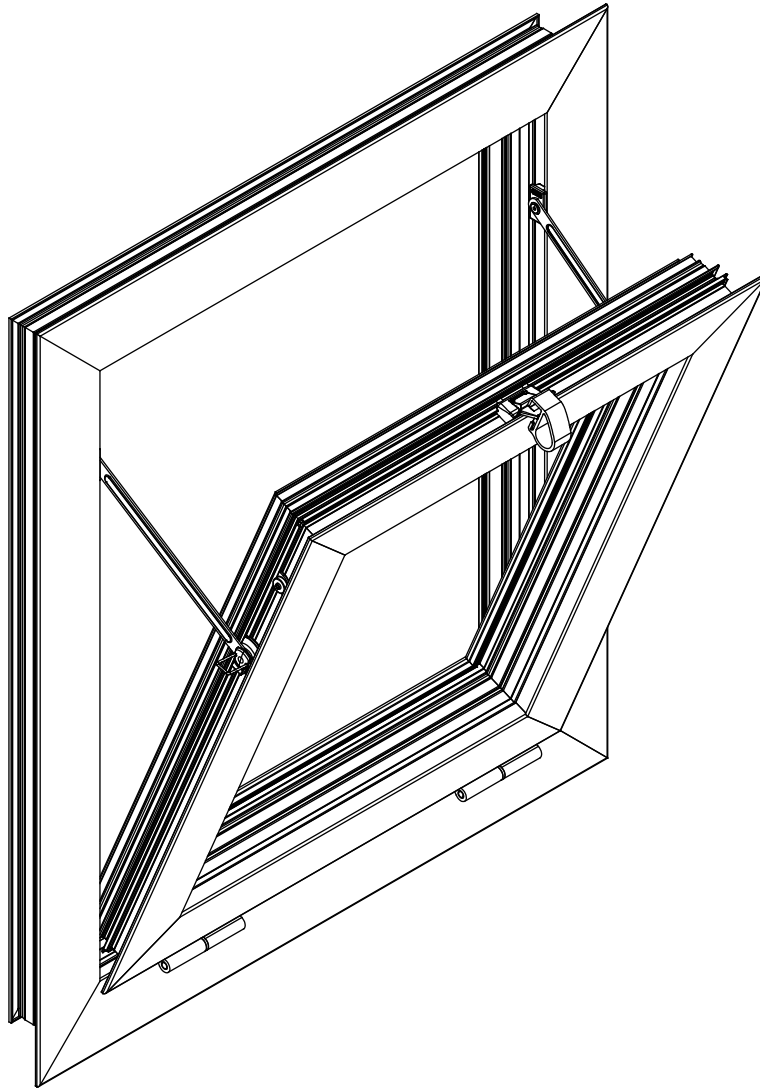
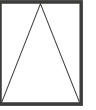
AWNING WINDOW ARM

 Made in Italy

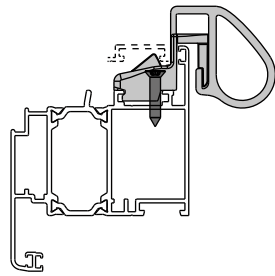
fapim[®]
Life in evolution

CLAK+

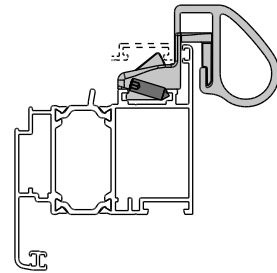
FINGER CATCH



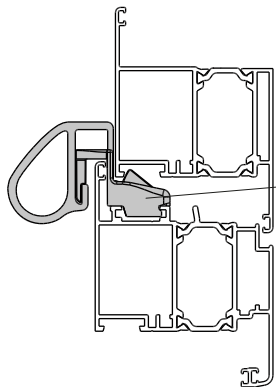
Art. 3214A



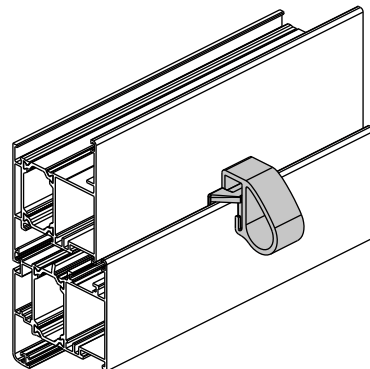
Art. 3214B

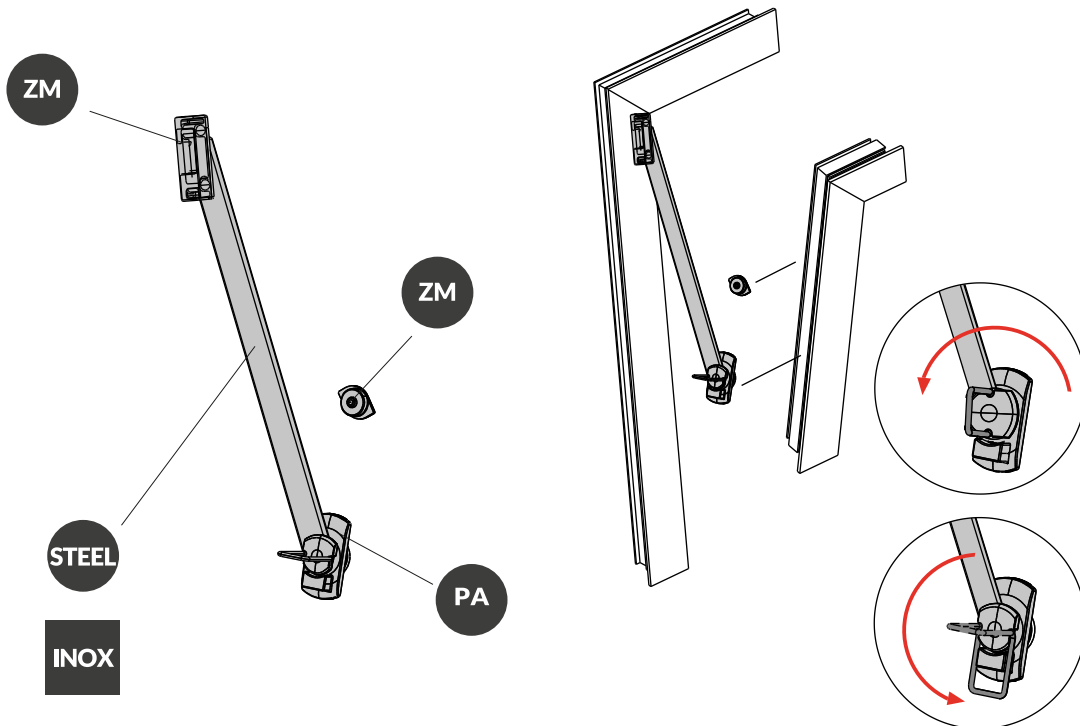
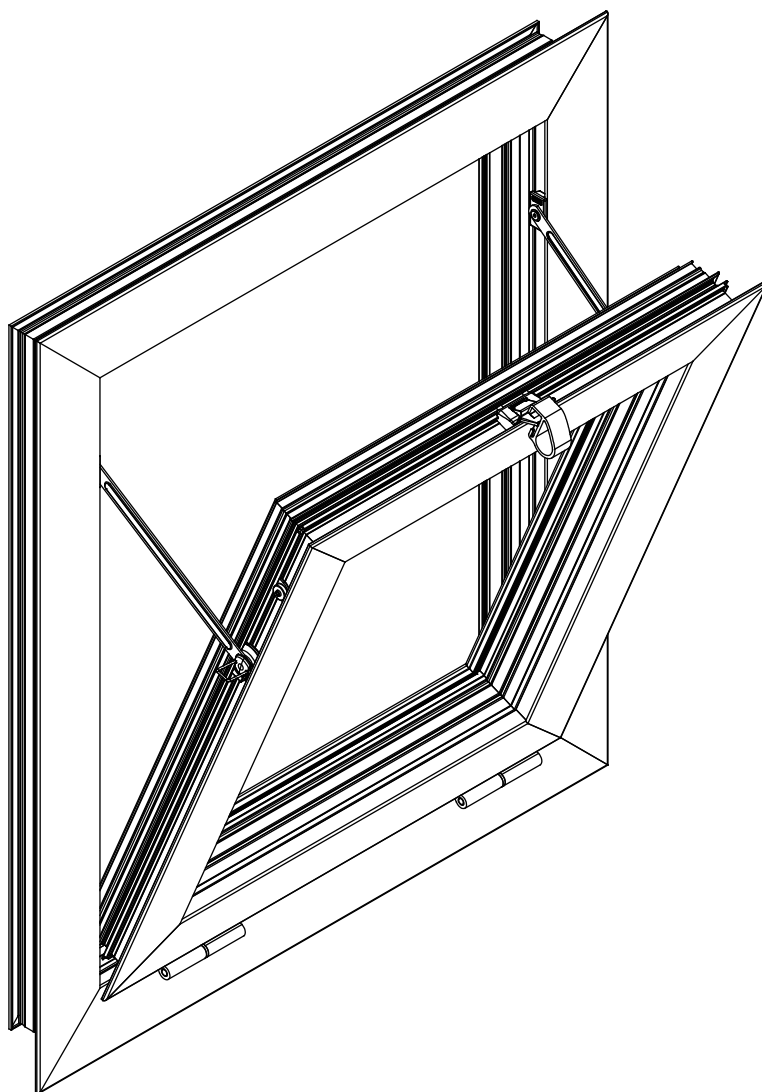


ALU



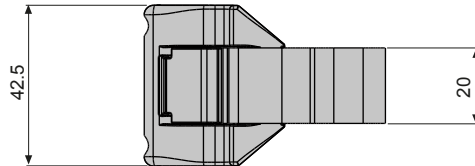
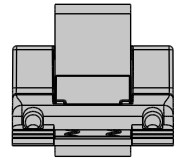
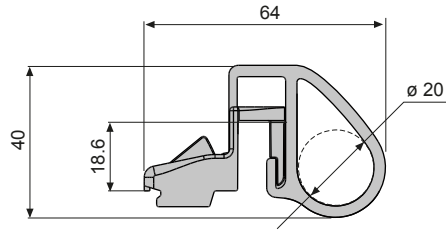
ZM



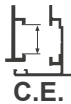


CLAK+

FINGER CATCH



3214A



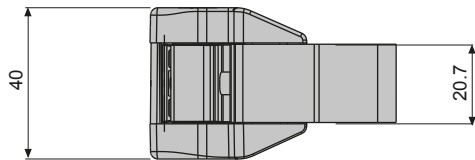
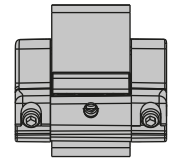
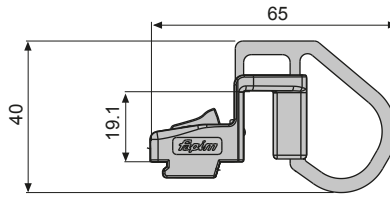
10x14.5
12x15
13.6x16
14x18

50

3214B

SUPERCLAK

FINGER CATCH

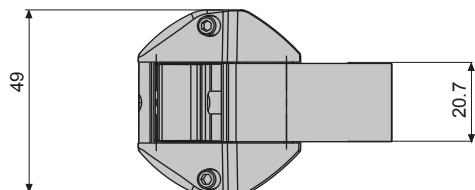
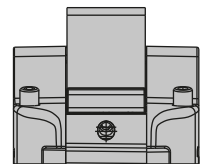
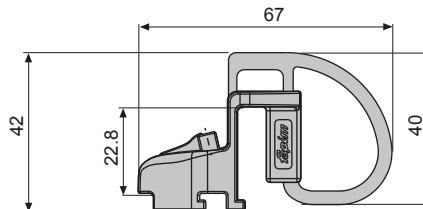


3217



10x14.5
12x15
13.6x16
14x18

50



3217R


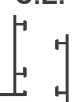








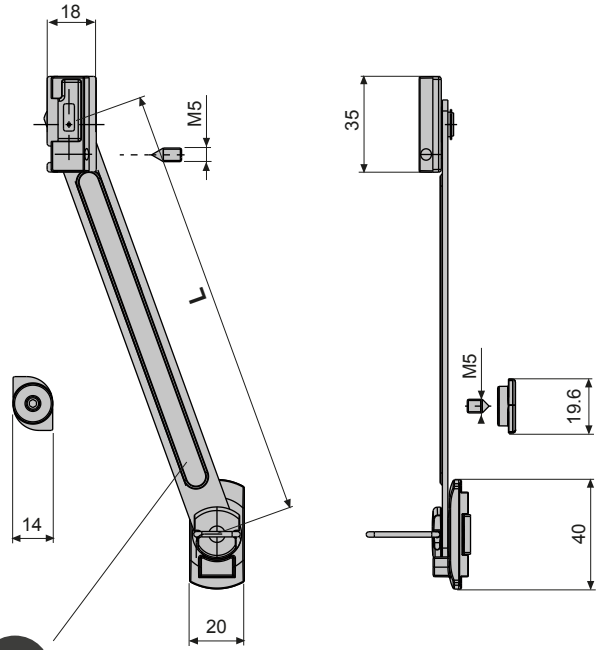
50

ALT3

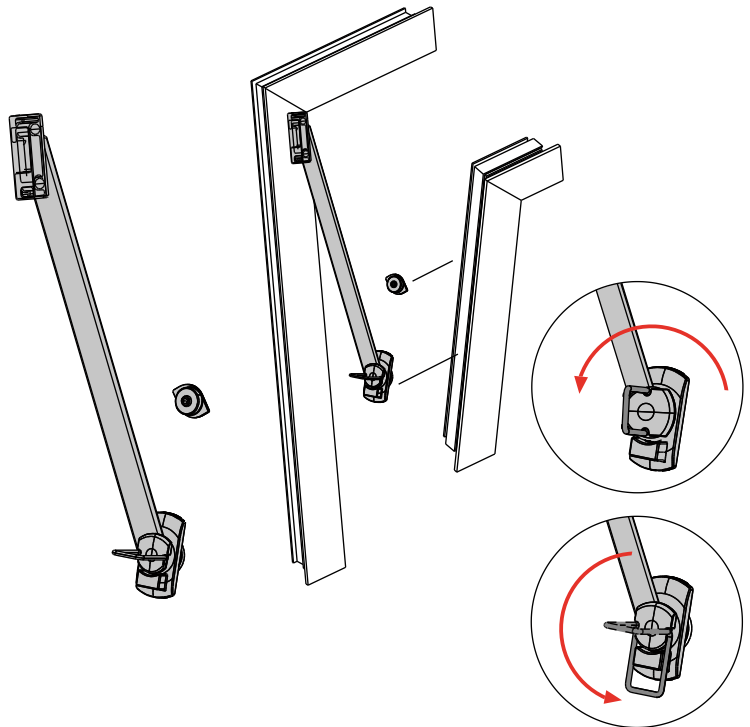
AWNING WINDOW ARM



3223A		10x14.5 12x15 13.6x16 14x18	150	AISI 430	50
3224A			220		
		Nc40S All.co5S			
3223B		10x14.5 12x15 13.6x16 14x18	150	AISI 430	50
3224B			220		
		C.E.			
3223BX		10x14.5 12x15 13.6x16 14x18	150	AISI 304	50
3224BX			220		
		C.E.			
3223C			150	AISI 430	50
3224C			220		
		R40			

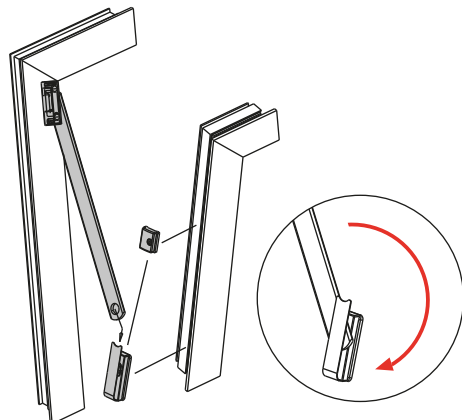
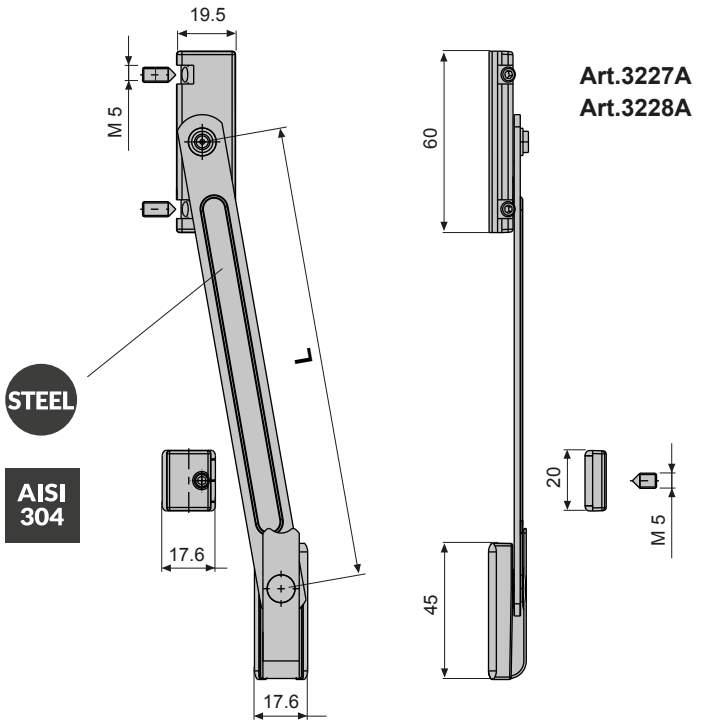
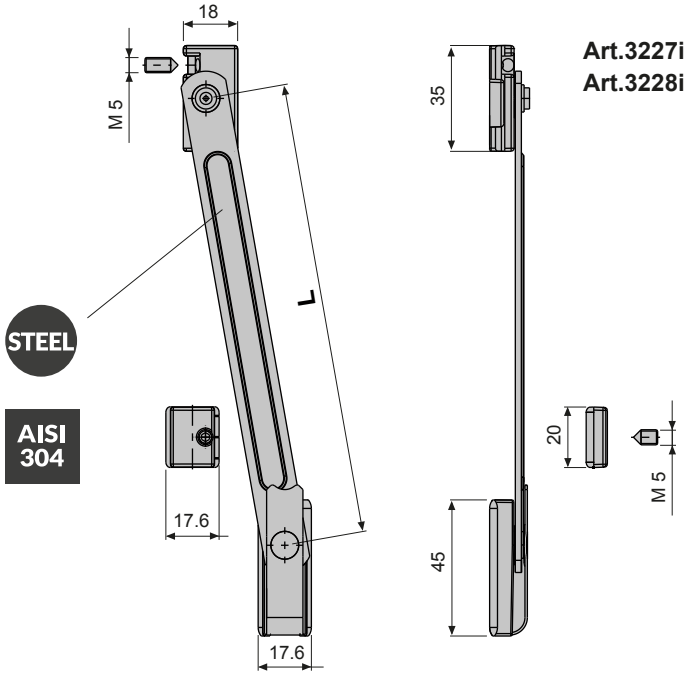


STEEL
INOX



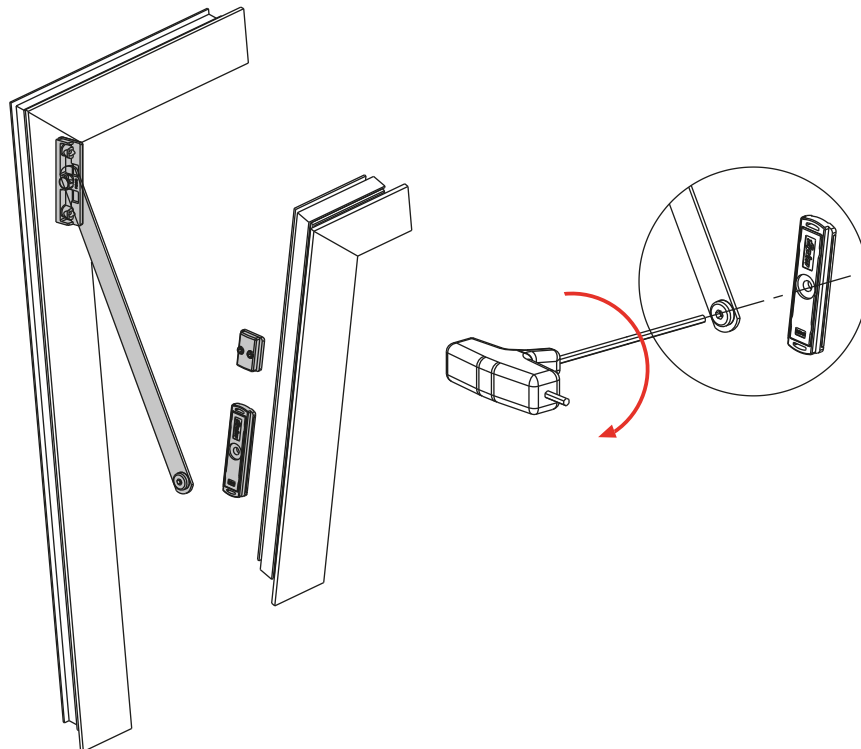
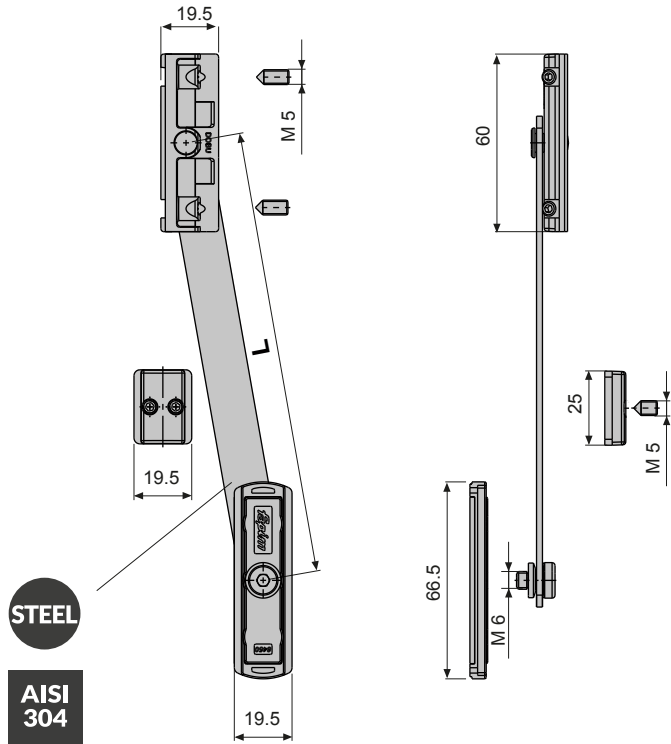


3227A		10x14.5 12x15 13.6x16	220	AISI 304	20
3228A	C.E.	14x18	150		
		10x14.5 12x15 13.6x16			
	C.E.	14x18			
3227I			220	AISI 304	50
3228I			150		
	R40				





3230		10x14.5	220	AISI 304	10
3231		12x15	150		
3232	C.E. 	13.6x16 14x18	482		



fapim®

Fapim S.p.A.
Via delle Cerbaie, 114
55011 Altopascio (LU) Italy
T +39 0583 2601 F+39 0583 25291
www.fapim.it info@fapim.it
Cod.Fisc. e Part.I.V.A. 02224030466

DOMATIC®

DOMATIC
info@domatic.it www.domatic.it

fapim

BENELUX

Fapim Benelux s.r.l.
Avenue Rue St. Roch , 17
7712 Herseaux Belgium
T +32 56 340548
T +32 56 341960
info-fapimbenelux@fapim.it

fapim

HISPANIA

Fapim Hispania s.L.
C/edison, esq. A. Ingeniero
Goicoechea 45600
Parcela, 74
Talavera De la Reina (Espana)
T +34 925 828357
F +34 925 841148
administración@fapimhispania.com
pedidos@fapimhispania.com

fapim

POLSKA

Fapim Polska sp. z o.o.
ul.Wilcza 1,Stupno
05-250 Radzymin
NIP : 536-16-29-437
T +48 227813797
F +48 227811022
Gsm +48609022972

fapim

RUSSIA

Fapim RU llc
Kaluzhskaya Region
Province Borovskiy, 99km.
main way "Ukraina", building 4A
T +7 48439 97207
info@fapimru.ru

fapim®

ARGENTINA

Fapim Argentina S.A.
CUIT: 30-71206299-8
Calle Gral Alvear N° 411 - 1°
Piso of 1 (B1640EWC) Martinez
Pdo. de San Isidro
Buenos Aires - Argentina
T (+54) (11) 4897-0062
y Líneas Rotativas